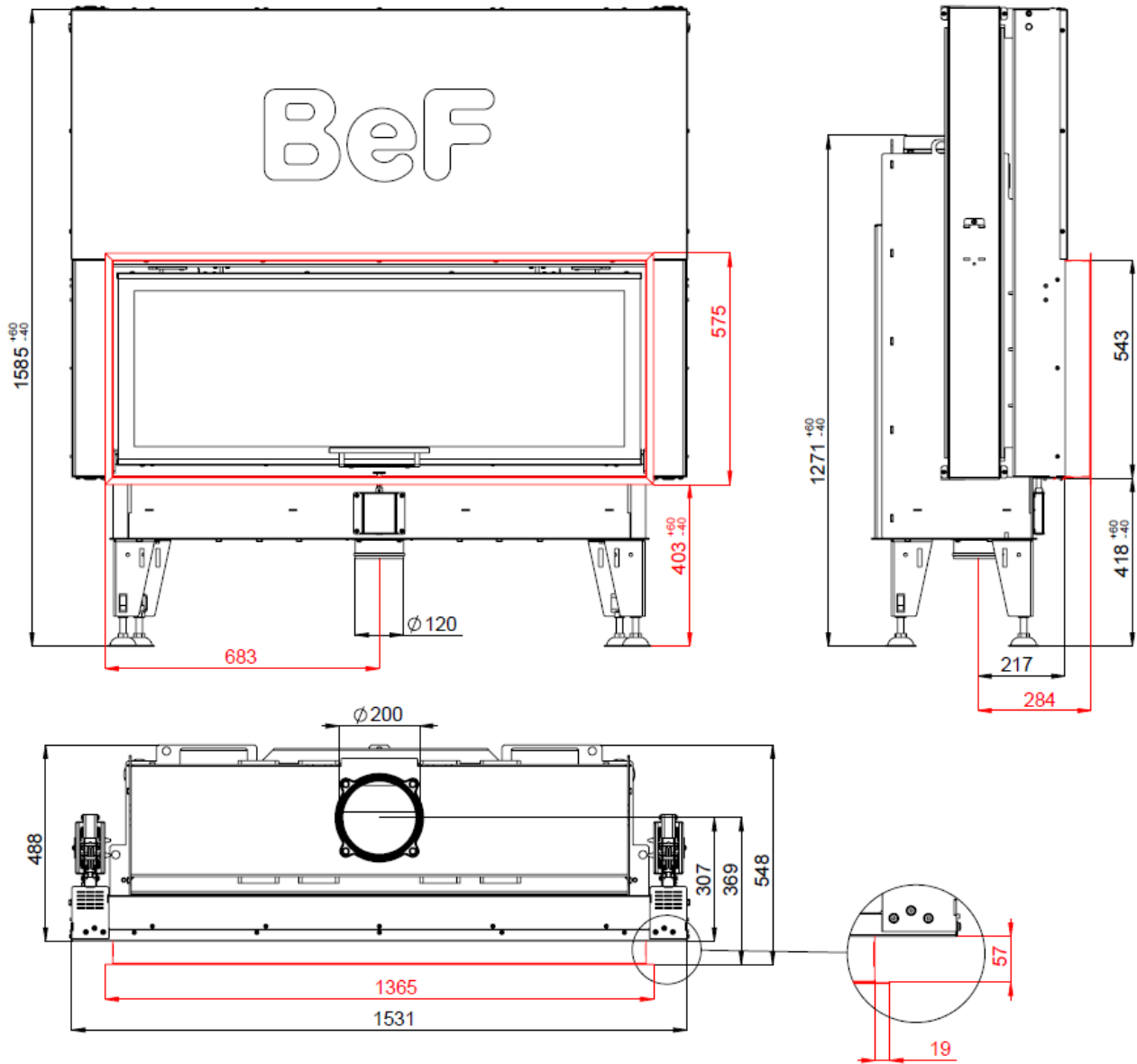


FIREPLACE INSERT BEF THERM V 14 IN ACCORDANCE WITH EN 13 229

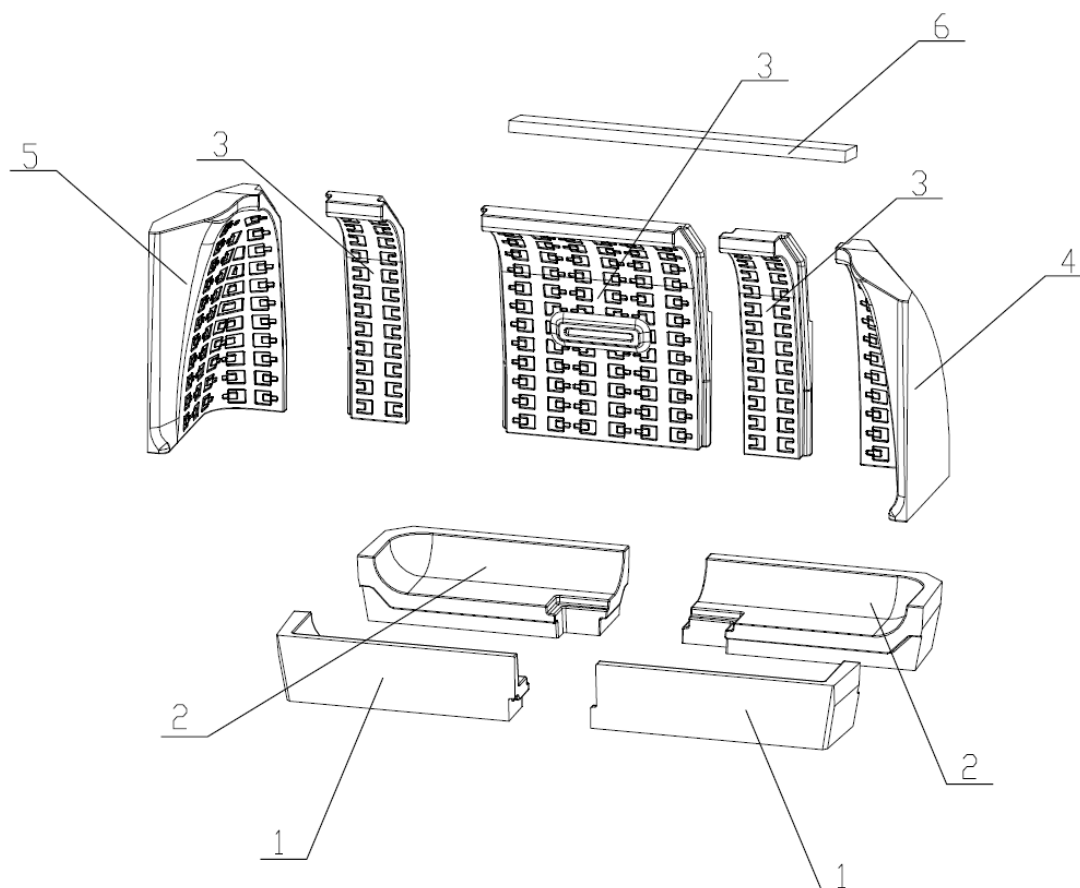


FIREPLACE INSERT BEF THERM V 14 **IN ACCORDANCE WITH EN 13 229**

Technical data:

Nominal heat output	kW	14
Efficiency	%	82,2
Volume flow of combustion products	g/s	10,3
Flue-gas temperature	°C	262
Min. feed pressure at nominal heat output	Pa	10
Fuel		wood (beech logs)
Fuel consumption per hour	kg/h	4,0
CO emission in burnt gas (in relation to 13% O ₂) %		0,0985
Dust in flue-gas (in relation to 13% O ₂)	mg/Nm ³	26
Smoke flue diameter	mm	200
Weight	kg	

Set of carcon firebox:



List of spare parts:

1. **Bottom**
2. **Bottom**
3. **Back**
4. **Side piece**
5. **Side piece**
6. **Deflector**
7. **Cast iron grate**
8. **Ashtray**

For details see Installation and Service Instructions.